

# Strip System

Hand tools for the manufacture of HVAC ducts  
with pre-insulated aluminum panels (PID)

## Strip Tools

---

### K2030

Guide for the use of tools  
for cutting pre-insulated  
aluminum panels  
20mm thick



©Copyright 2023-Strip System, S.L.

All rights reserved.

No part of this publication may be copied, reproduced, stored, or transferred by any means without the written permission of the author.

Responsibility for damages of any kind that may be caused by the use of the information contained in this publication is rejected.

Strip System is  
a trademark of  
Strips System, S.L.

MADE in UE

Our products are designed and manufactured entirely in the European Union (EU).

All materials used in the manufacturing and marketing process come from the EU.

The tools are manufactured with biodegradable bioplastic of recycled and non-polluting origin that actively collaborate in the preservation of the environment.



Due to the constant innovation and development of all our products, images, descriptions, tools and accessories, packaging, kit content, material, colors or references may vary from what is specified in this publication.

Strip System, S.L.  
Riu Terri, 15-bx  
E-17003 Girona (España)

## RECOMMENDATIONS

For your own safety, take all occupational prevention measures in accordance with your profession and current legislation.



## WARNING

The tools can suffer some type of wear due to friction. During cutting, the base of the tools must always slide flat on the surface of the panel. The life cycle of the tools could not yet be tested in the time of this publication.

## PRECAUTIONS

Always keep tools in optimal conditions for use:

1. Keep them in a dry place.
2. Do not hit them, they could be damaged.
3. If you are not going to use the tools, disassemble the blade, unscrew the cap from the handle and deposit it in the internal housing.
4. Replace the cutting blades as soon as you notice irregularities, rust or any damage on the cutting edge.
5. Do not overtighten screws, blade or tool could be damaged.
6. Keep tools clean.



**KEEP  
DRY**



**DON'T  
HIT**



**HANDLE  
WITH CARE**

## THE TOOLS

- They are supplied in complete sets (kits) and also individual.
- The handle of the tools is partially hollow and serves as a housing for the cutting blades and the assembly key.
- It is accessed by unscrewing the cap.

## ASSEMBLY OF THE CUTTING BLADES

1. Unscrew the top cap of the handle to remove the cutting blade and the 3mm allen key for assembly.
2. Loosen the screw to facilitate the entry of the blade.
3. Insert the blade in the place of the base indicated with an arrow.
4. Enter the blade until you notice that it stops at the bottom.
5. Tighten the screw sparingly, just to hold the blade.
6. Over-tightening the screw could damage the blade or tool.



# K2030

## Tools kit for 20mm panel

Specially designed for the use and application of the STRIP SYSTEM in the duct manufacturing pre-insulated (PID) in their different dimensions and various forms.

It consists of five tools, each one has a specific function and they are easily distinguished visually by the color of the top cap of the handle..



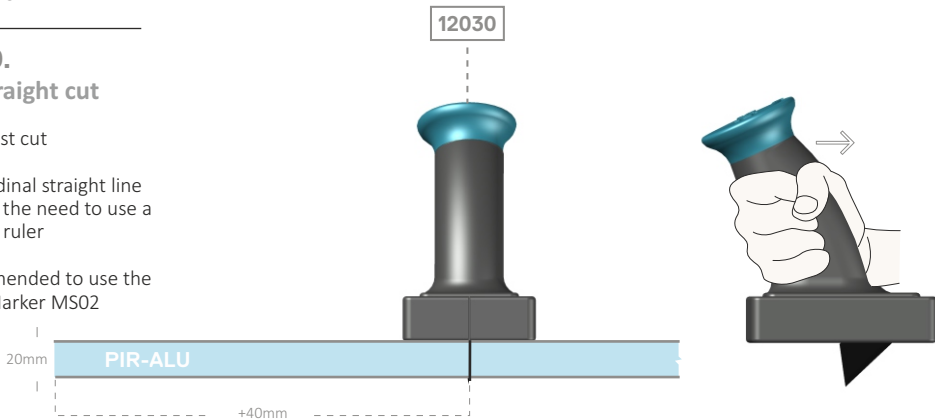
## 20 MM K2030

### 12030. 90° straight cut

Strips: 1st cut

Longitudinal straight line  
without the need to use a  
support ruler

Recommended to use the  
Strips Marker MS02



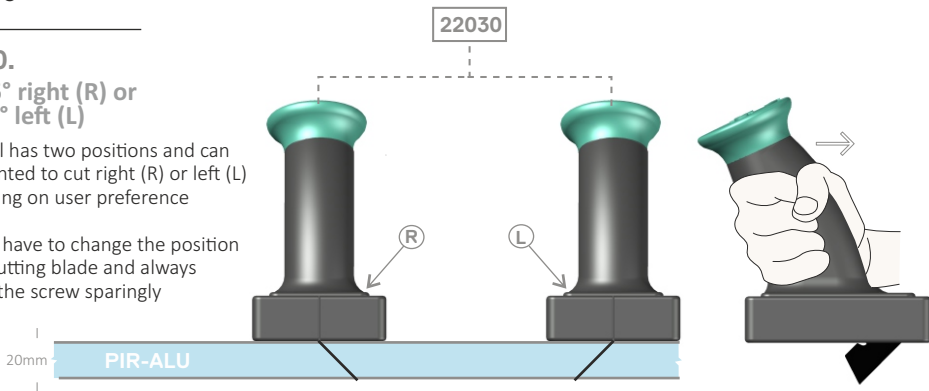
## 20 MM K2030

### 22030.

Cut 45° right (R) or  
cut 45° left (L)

This tool has two positions and can  
be mounted to cut right (R) or left (L)  
depending on user preference

You just have to change the position  
of the cutting blade and always  
tighten the screw sparingly

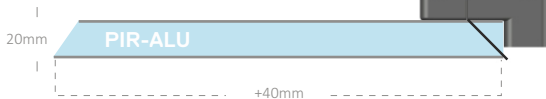


**20 MM**  
**K2030**

**32030.**  
**Longitudinal chamfering**

Strips 2nd cut:

Longitudinal side bevel at  
 $45^\circ$  with fixed stop without  
the need to use meter nor  
supporting ruler





**20 MM**  
**K2030**

---

**42030.**  
**Male / Female**

Step cut at 90° for the internal FEMALE and the external MALE in the transversal joints between sections of ducts and/or pieces

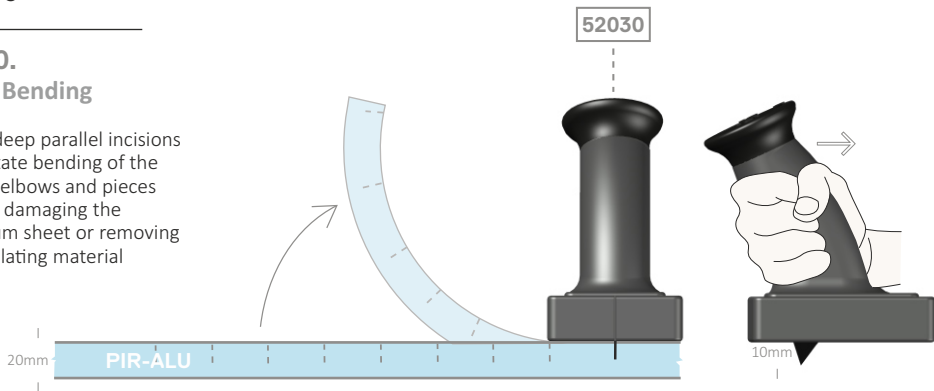


## 20 MM K2030

---

### 52030. Panel Bending

10mm deep parallel incisions to facilitate bending of the walls in elbows and pieces without damaging the aluminum sheet or removing the insulating material

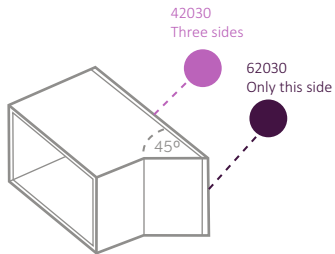


## OPTIONAL TOOL-20 MM

### 62030. Male 45° for shoes

Very useful tool that facilitates  
the coupling of shoes to the  
main conduit

Use only in shoes



# K0030

## Conversión KIT 20/30mm

This "KIT" is used to adapt the tools of the "KIT" K2030 for cutting 20mm thick panels to cut 30mm thick panels.



## ACCESSORIES

---

### MS02.

#### Strips Marker

---

Adjustable tool that allows marking all Strips to the same size.

Mark the line to follow for the cut without the need for a support rule.

It is recommended to use two markers to avoid having to change measurements.



### MC01.

#### Tape Marker

---

Very useful tool to mark a reference guide for the placement of the aluminum tape well aligned.

It is used in transversal joints and optionally in longitudinal ones.



# Strip Tools

Strip System, S.L.  
Riu Terri, 15-bx  
E-17003 Girona (España)

[strip-system.com](http://strip-system.com)  
[mail@strip-system.com](mailto:mail@strip-system.com)